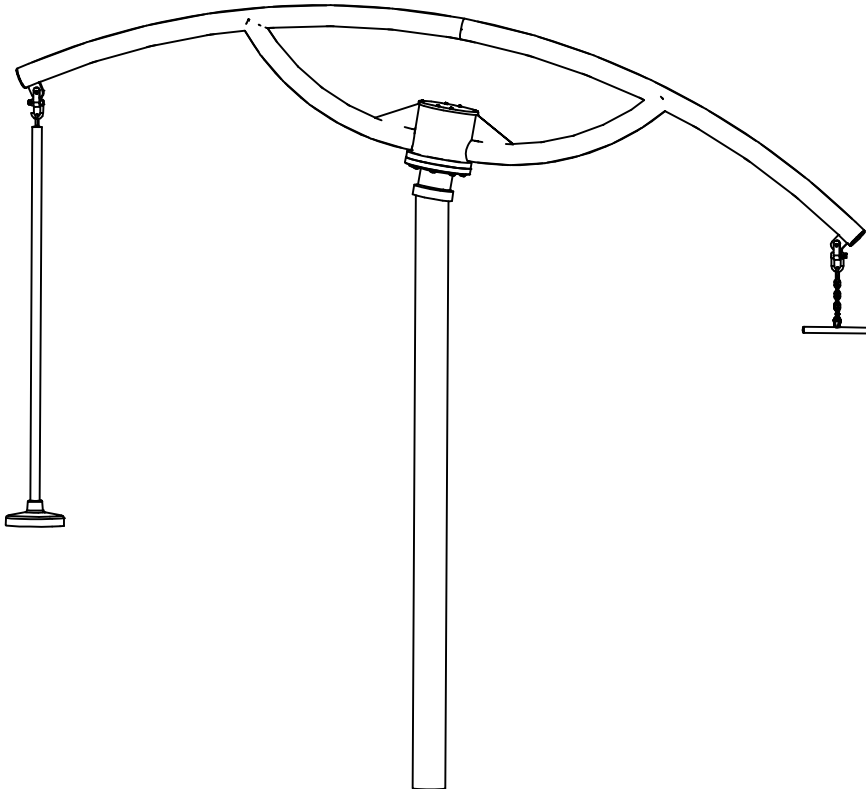
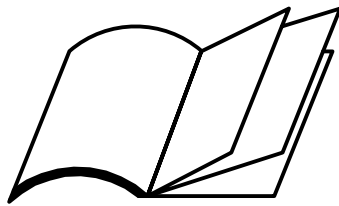


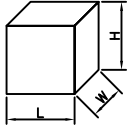
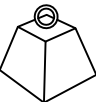
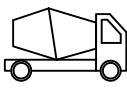
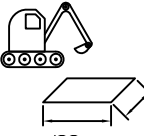
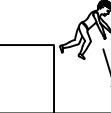

HAGS

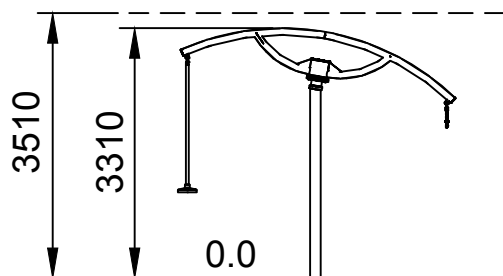
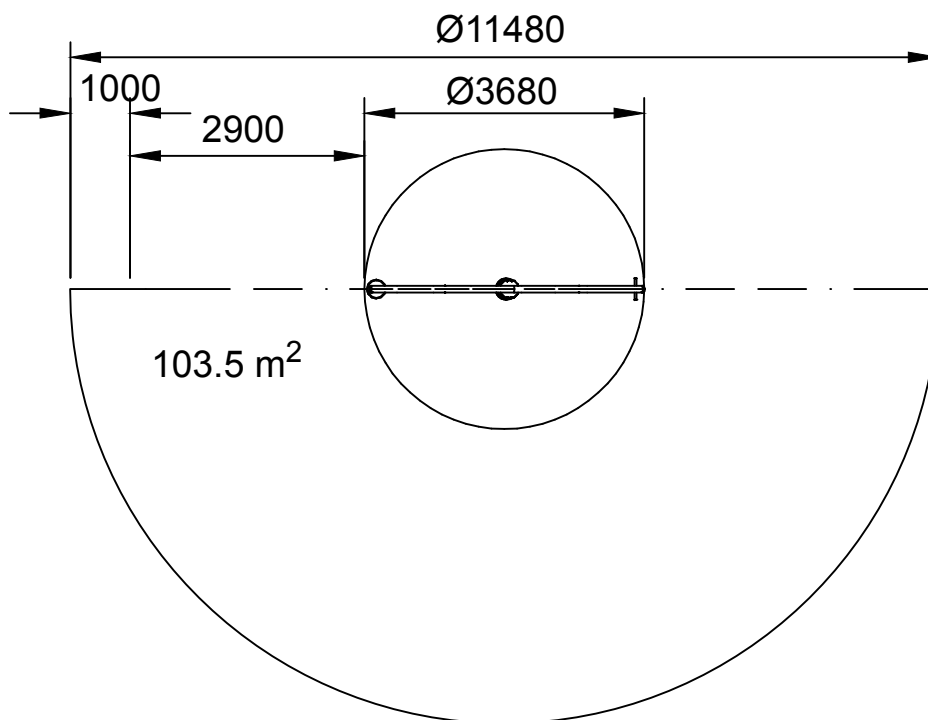
DUEL CAR-DUE, CAR-DUE(N)

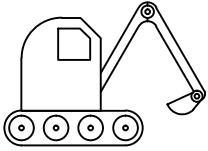




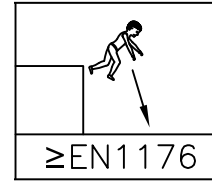
:

	 LxWxH (m)	 kg	 m ³	 m	 ≥EN1176	 x 2 = T
CAR-DUE	∅3.680 x 3.31	246.0	2.05	12.00 x 12.00	1.50m	T = 28h

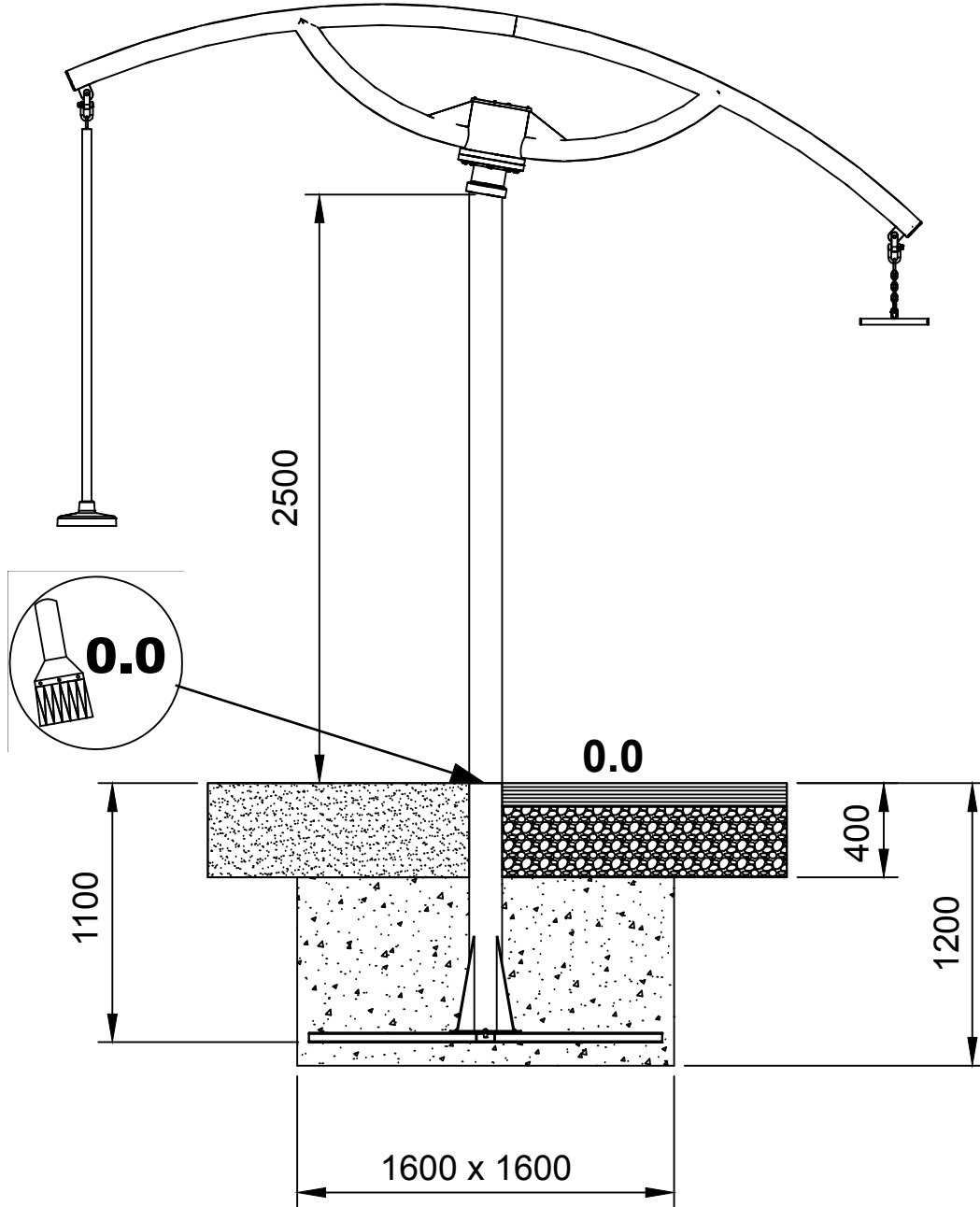


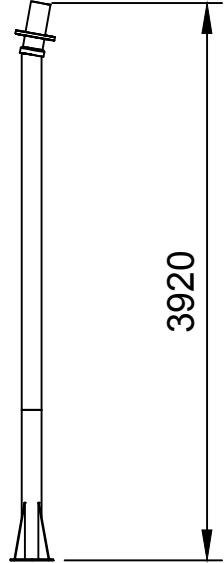
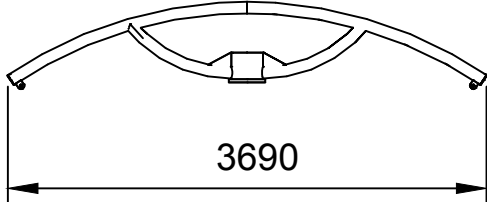
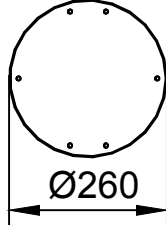
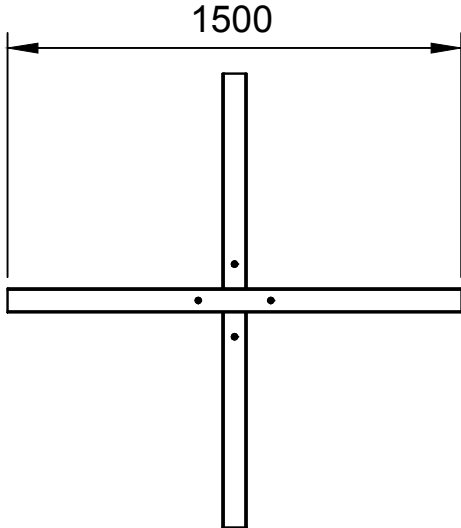


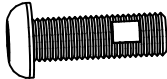
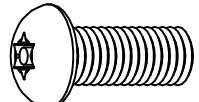
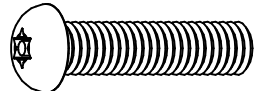
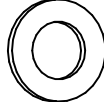
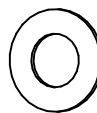
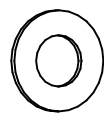
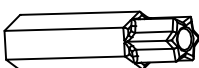

 101/144



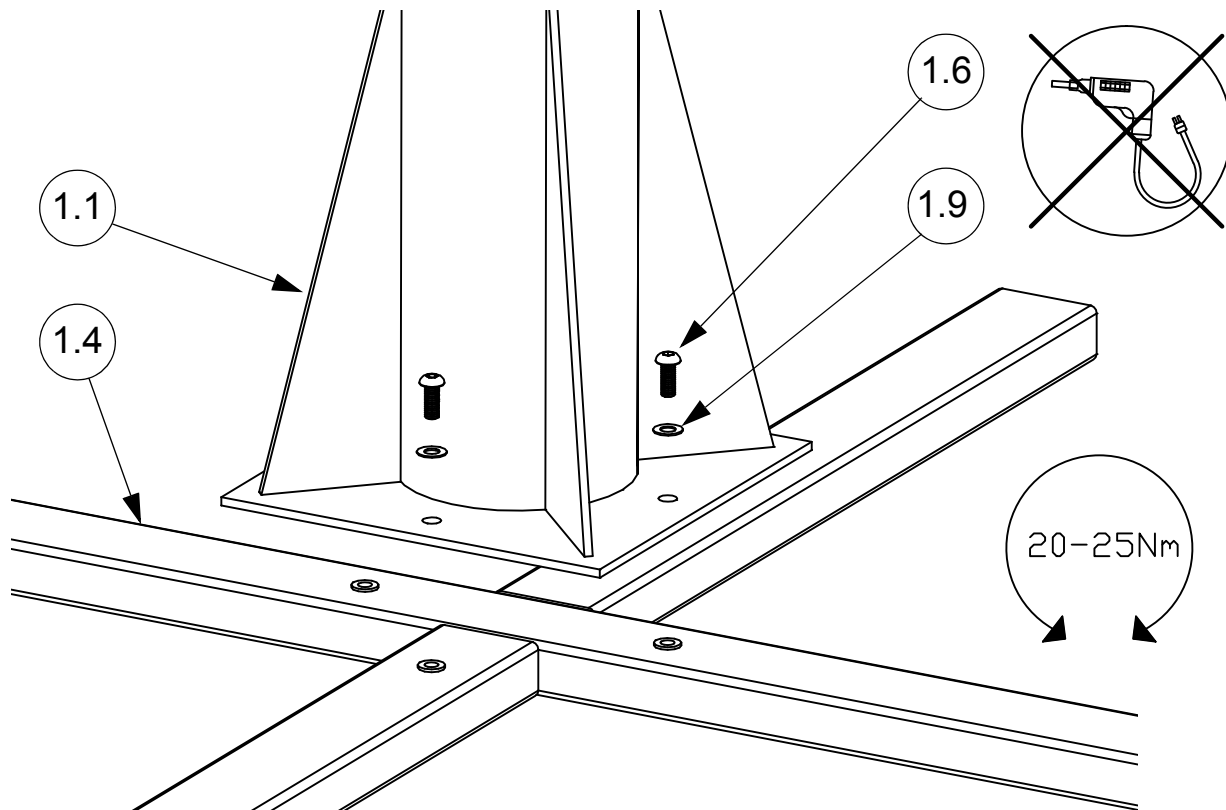
1.5 m



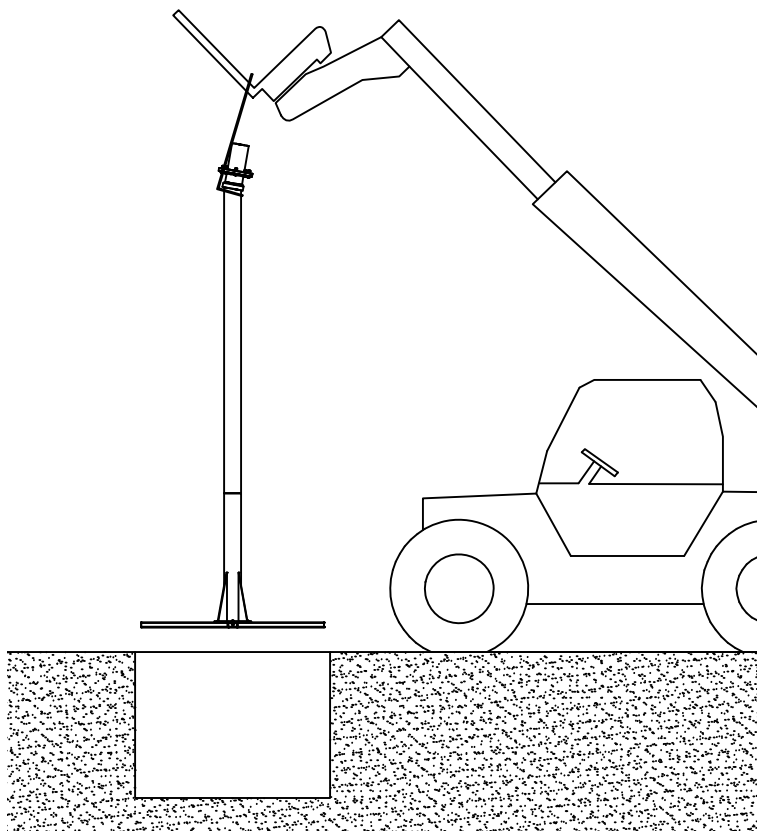
		CAR-DUE / CAR-DUE(N)		kg
1.1	71200100		1x	139.00
1.2	71300100		1x	89.00
1.3	71300500		1x	0.55
1.4	71200315		1x	16.00

		CAR-DUE / CAR-DUE(N)		kg
1.5	10141650	 M16 X 50	8x	0.060
1.6	10121025	 M10 X 25	4x	0.024
1.7	10120625	 M6 X 25	6x	0.011
1.8	10291600	 M16 17X30X3	8x	0.004
1.9	10291000	 M10 11X21X1	4x	0.002
1.10	10290600	 M6 6.4X12.6X1	6x	0.001
1.11	10121000	 T45 M10	1x	-
1.12	10120600	 T30 M6	1x	-

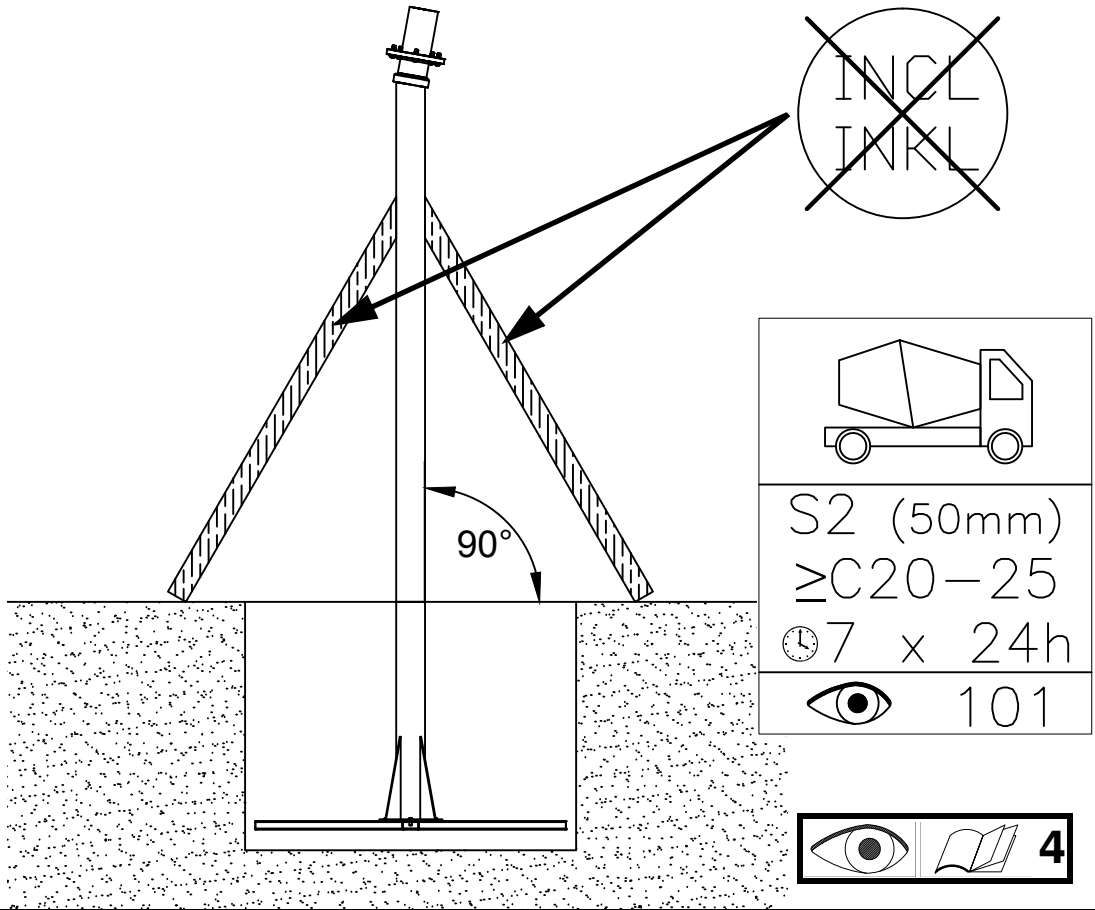
1



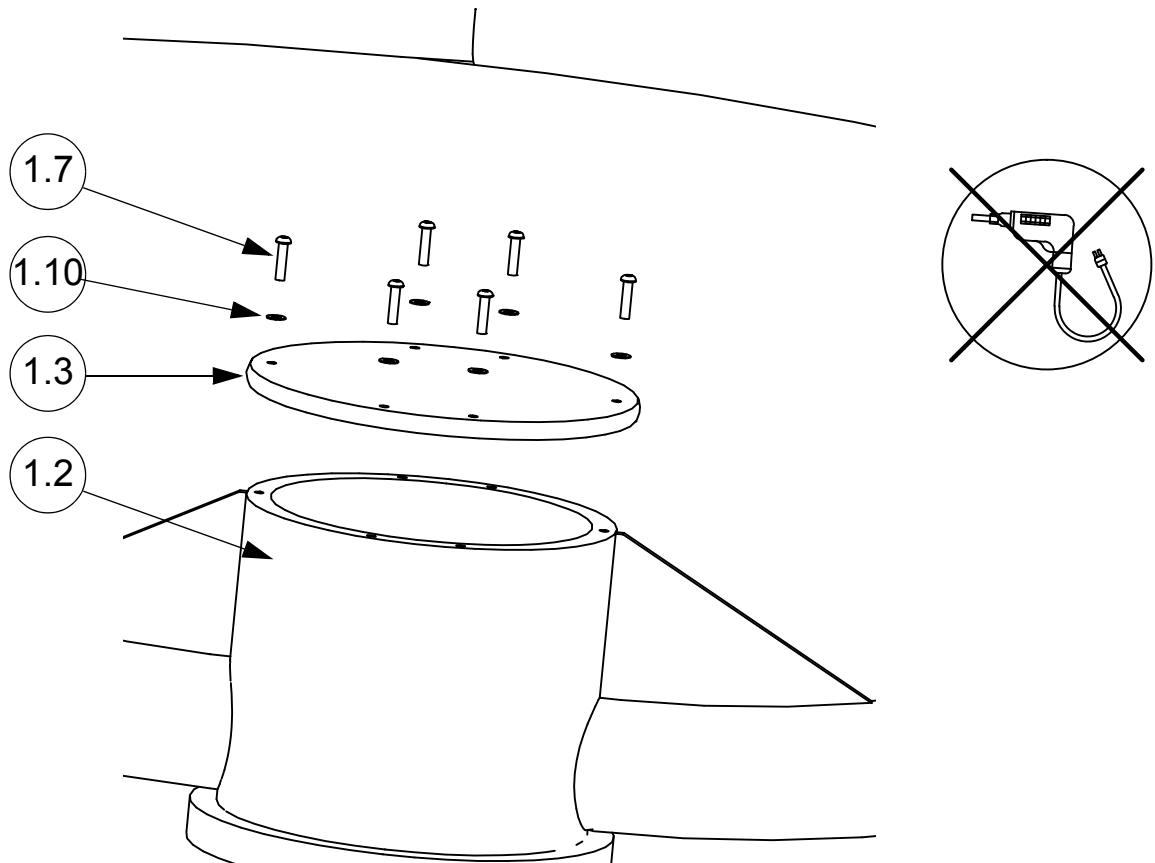
2



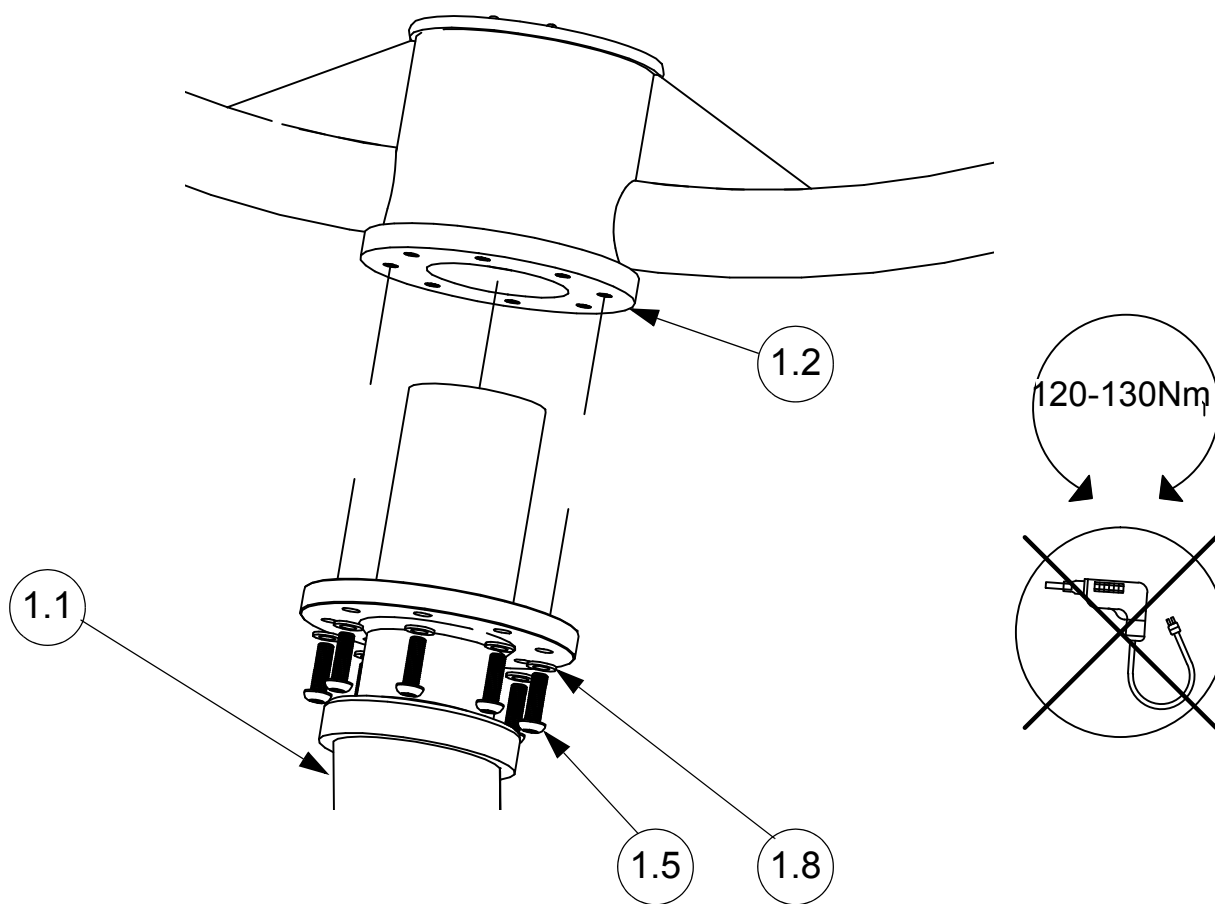
3

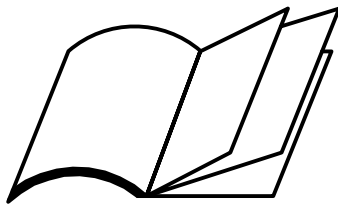


4



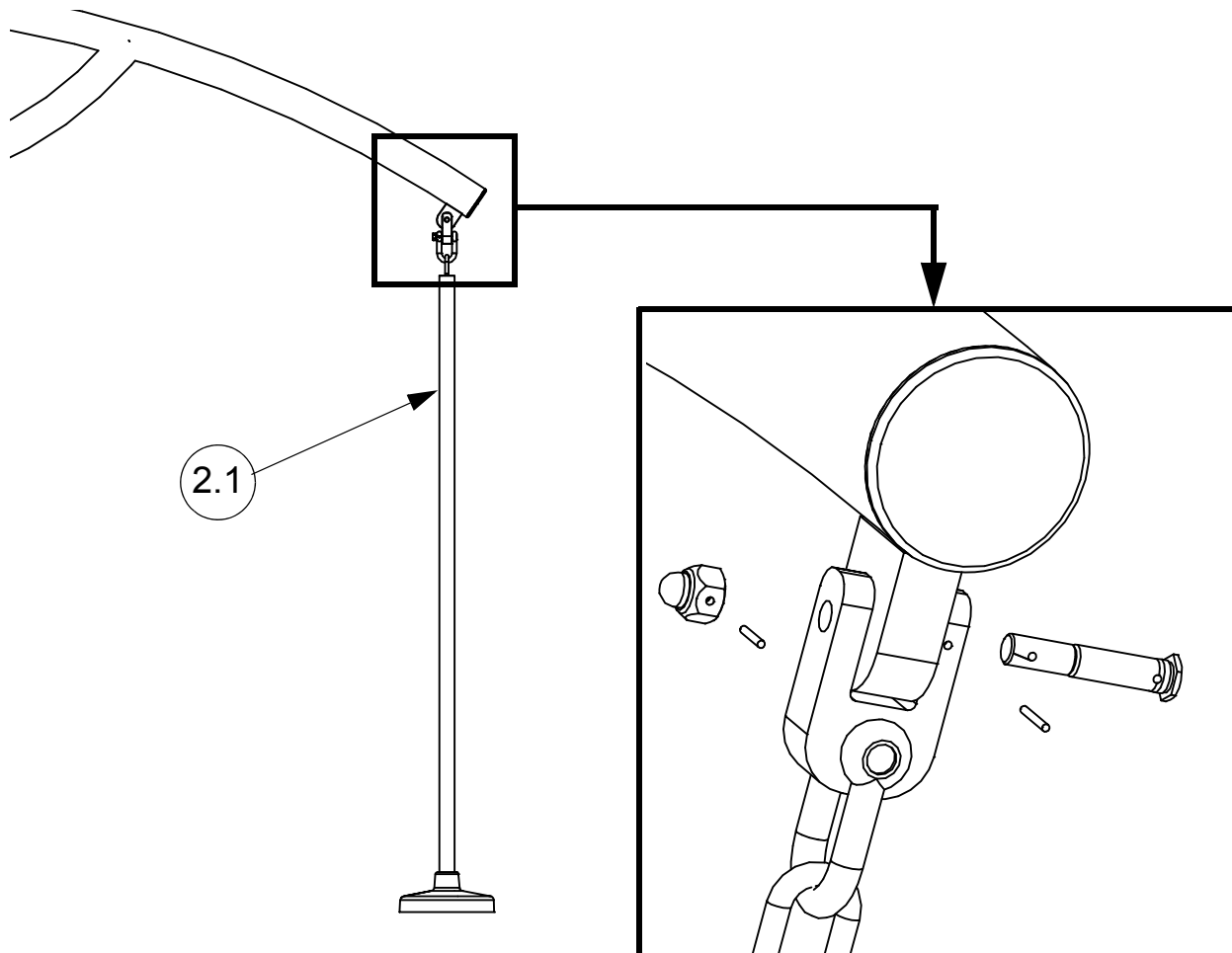
5



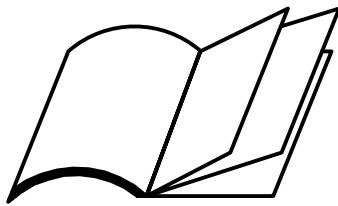


:

71240801

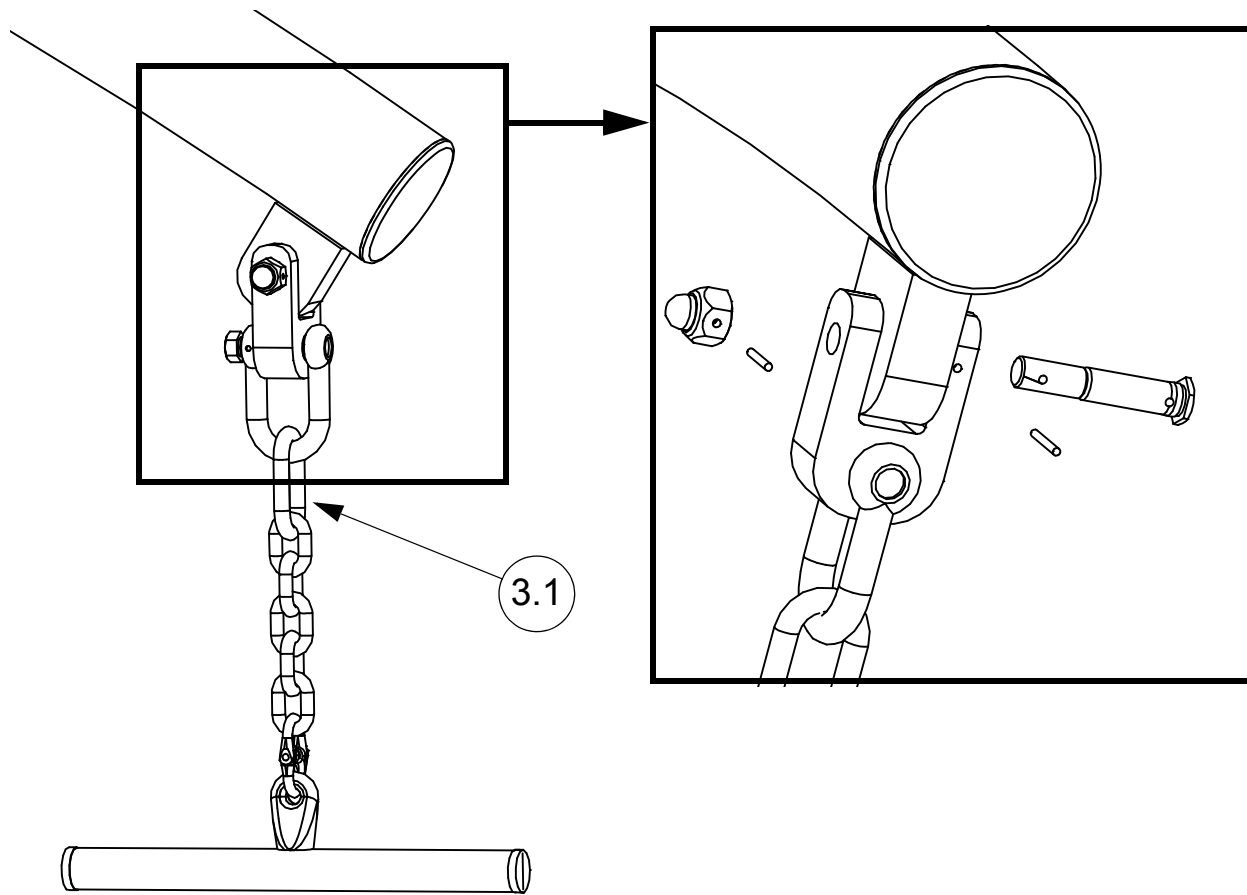


				kg
2.1	71240801		1x	5.25

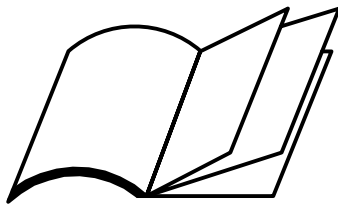


:

71240803

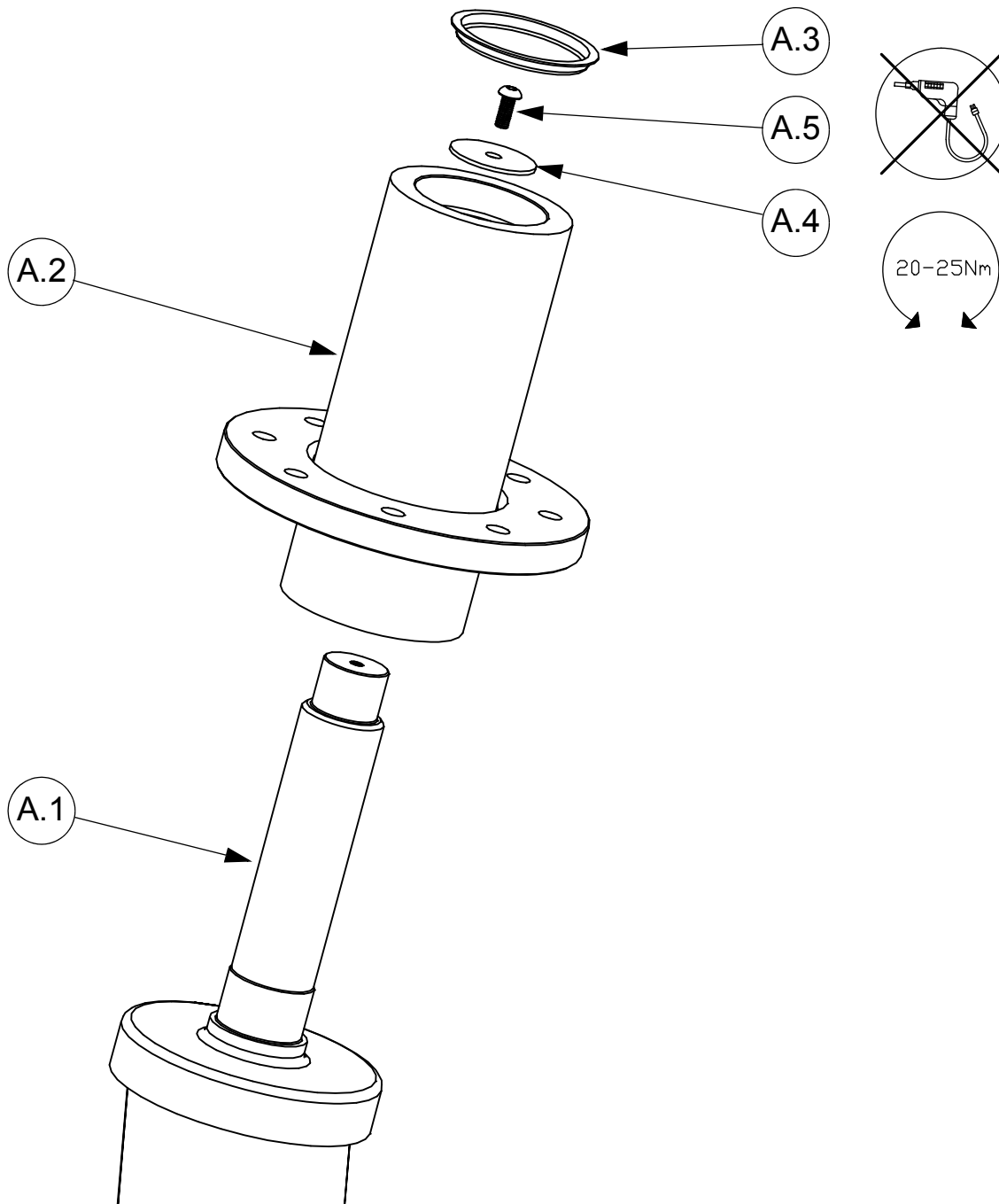


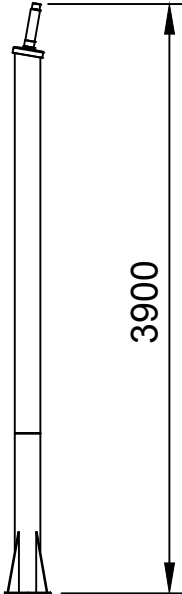
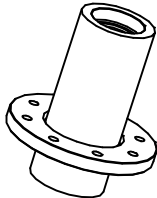

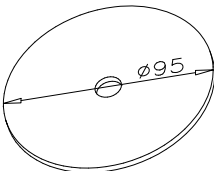
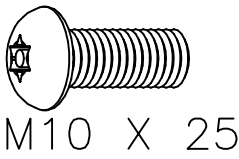
				kg
3.1	71240803		1x	1.25



A:

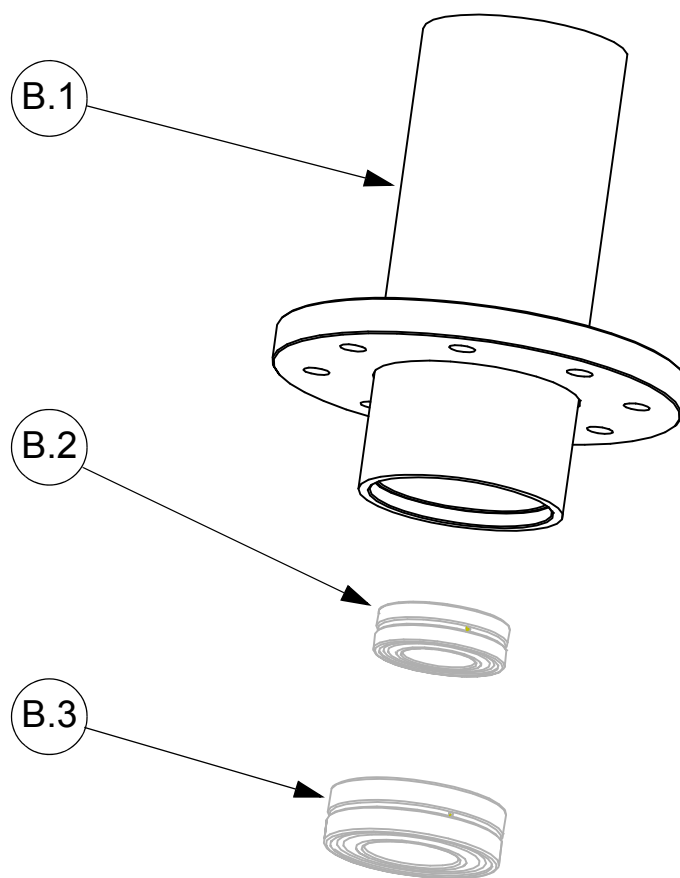
* 71200100

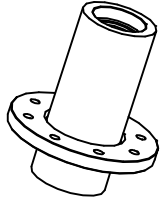
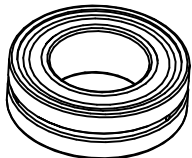
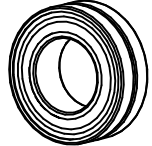


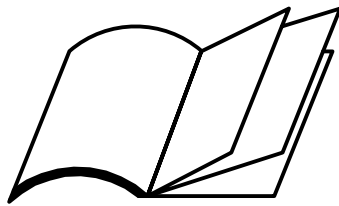
		71200100		kg
A.1	71200300		1x	116.00
A2	71200105		1x	23.00
A.3	19055080		1x	0.013
A4	71000111		1x	0.08
A5	10121025		1x	0.011

B:

*** 71200105**

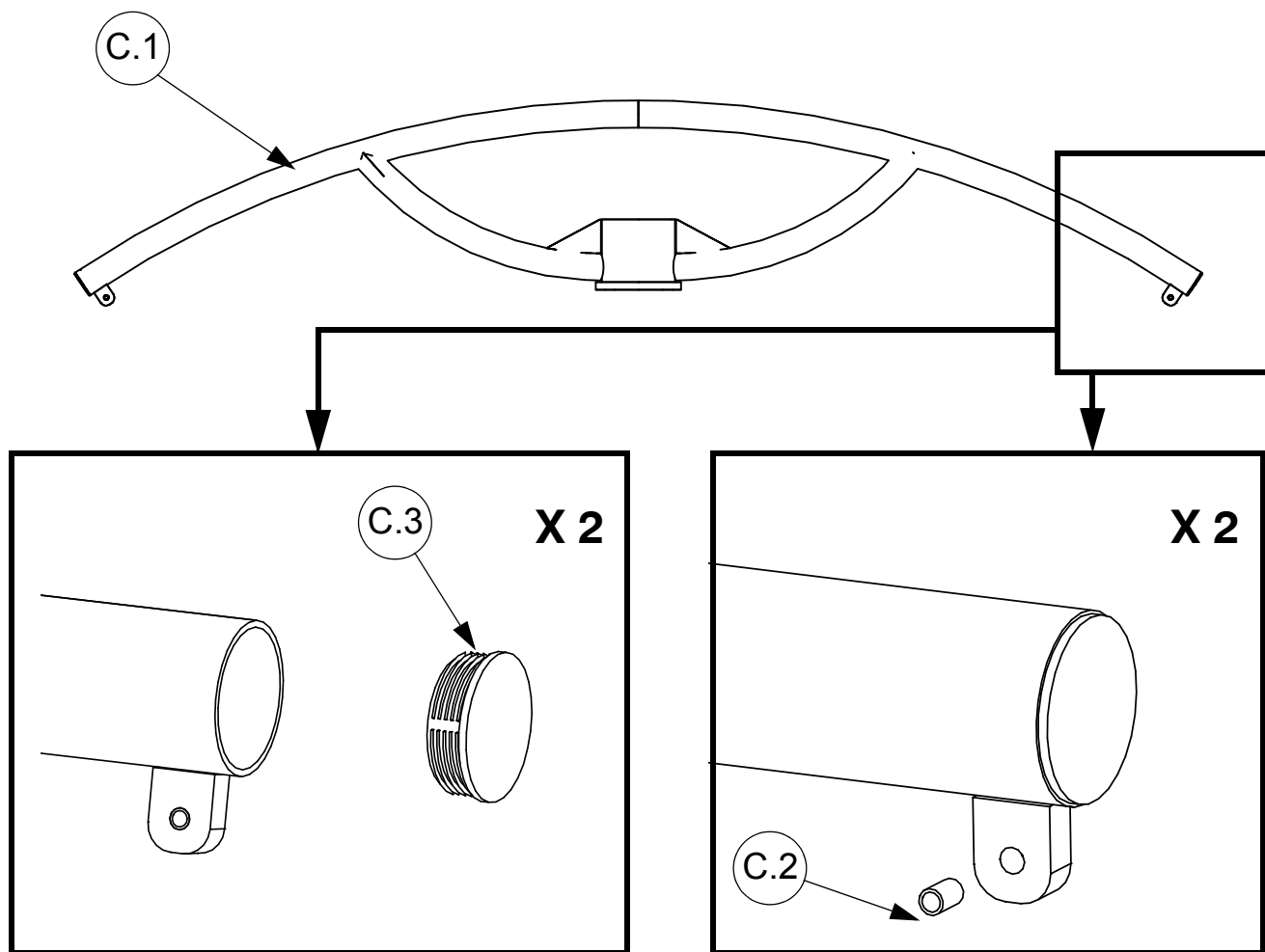


		71200105		
				kg
B.1	71200310		1x	21.00
B.2	71022210		1x	0.70
B.3	71022213		1x	1.60

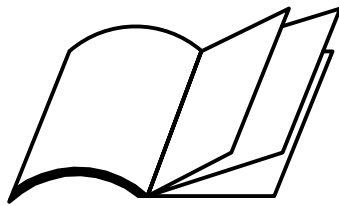


C:

*** 71300100**

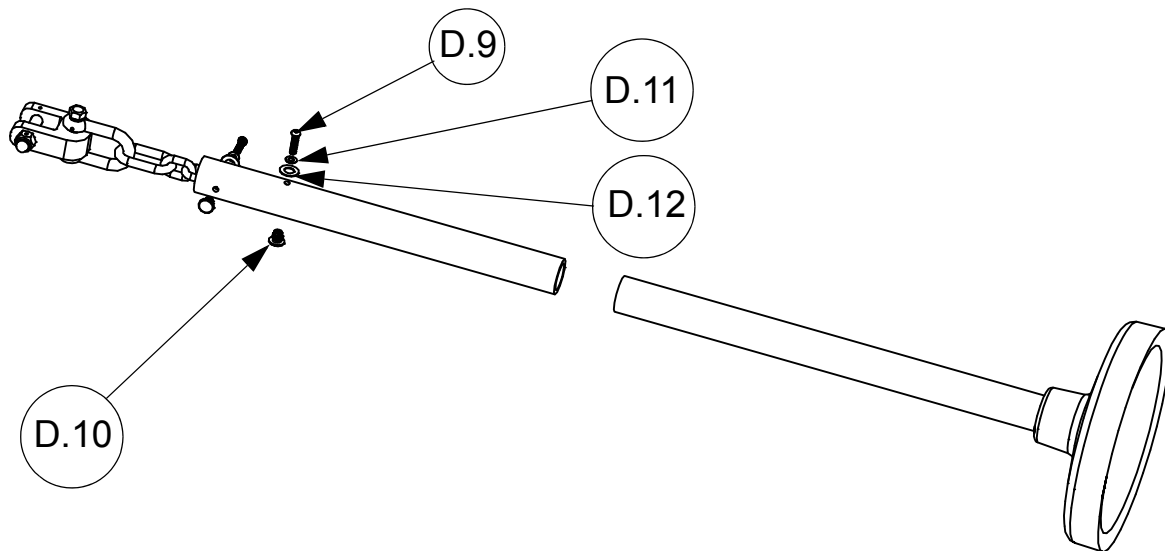
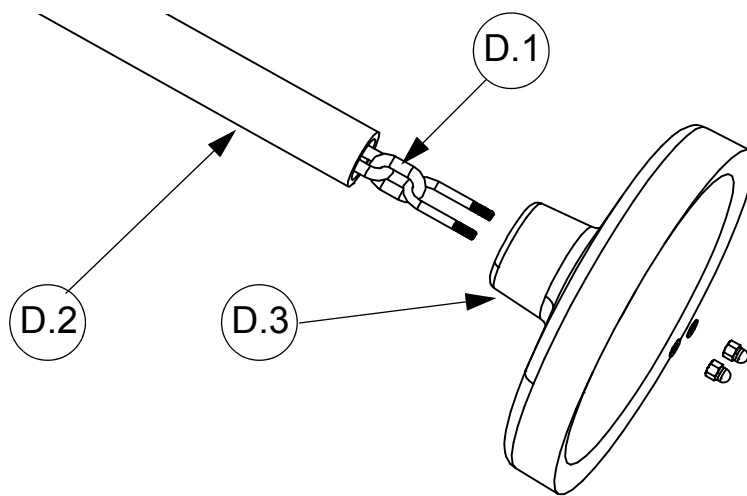
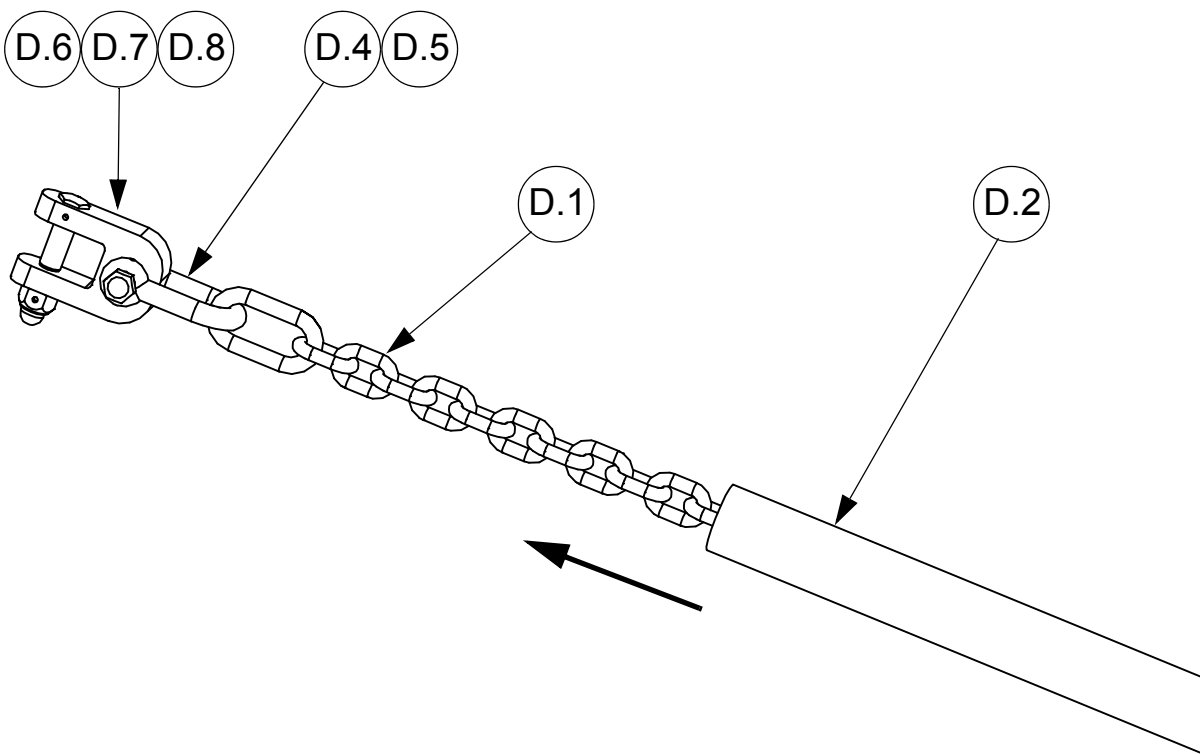


		71300100		kg
C.1	71300300		1x	89.00
C.2	15011612		2x	0.002
C.3	19055070		2x	0.052

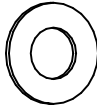
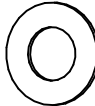


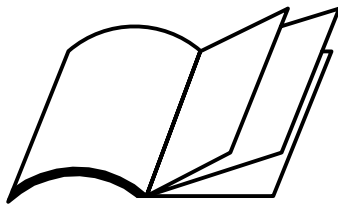
D:

* 71240801



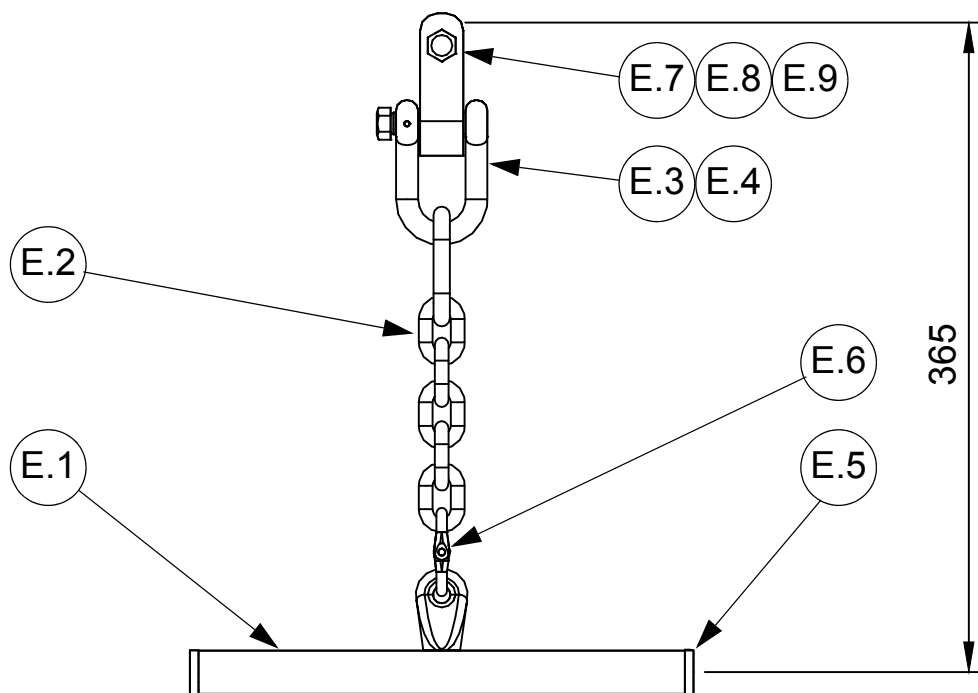
		71240801		kg
D.1	71200510		1x	3.75
D.2	71200515		1x	1.00
D.3	109906		1x	0.25
D.4	88096003		1x	0.25
D.5	10310325		1x	0.002
D.6	71200115		1x	0.50
D.7	10310330		1x	0.002
D.8	10310331		1x	0.002
D.9	10120625	<p>M6 X 25</p>	2x	0.011
D.10	10930600	<p>M6</p>	2x	0.006



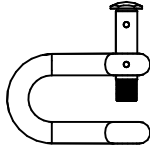

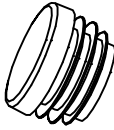
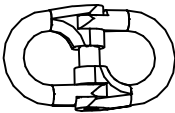
		71240801		kg
D.11	10290600	 M6 6.4X12.6X1	2x	0.001
D.12	10291000	 M10 11X21X1	2x	0.002

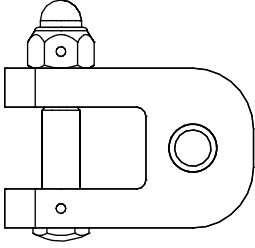




E:

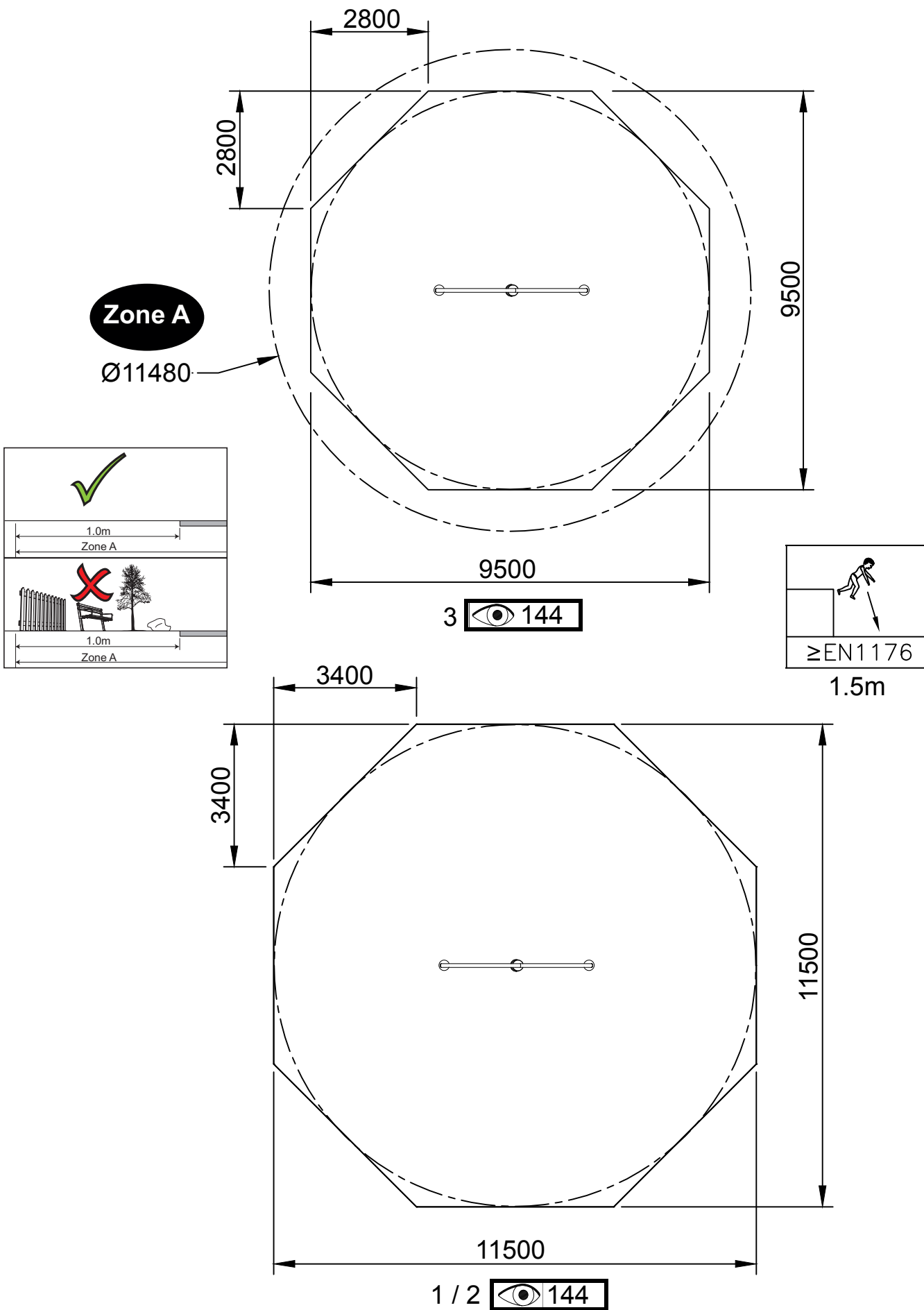
*** 71240803**

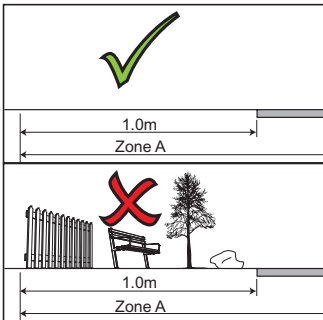
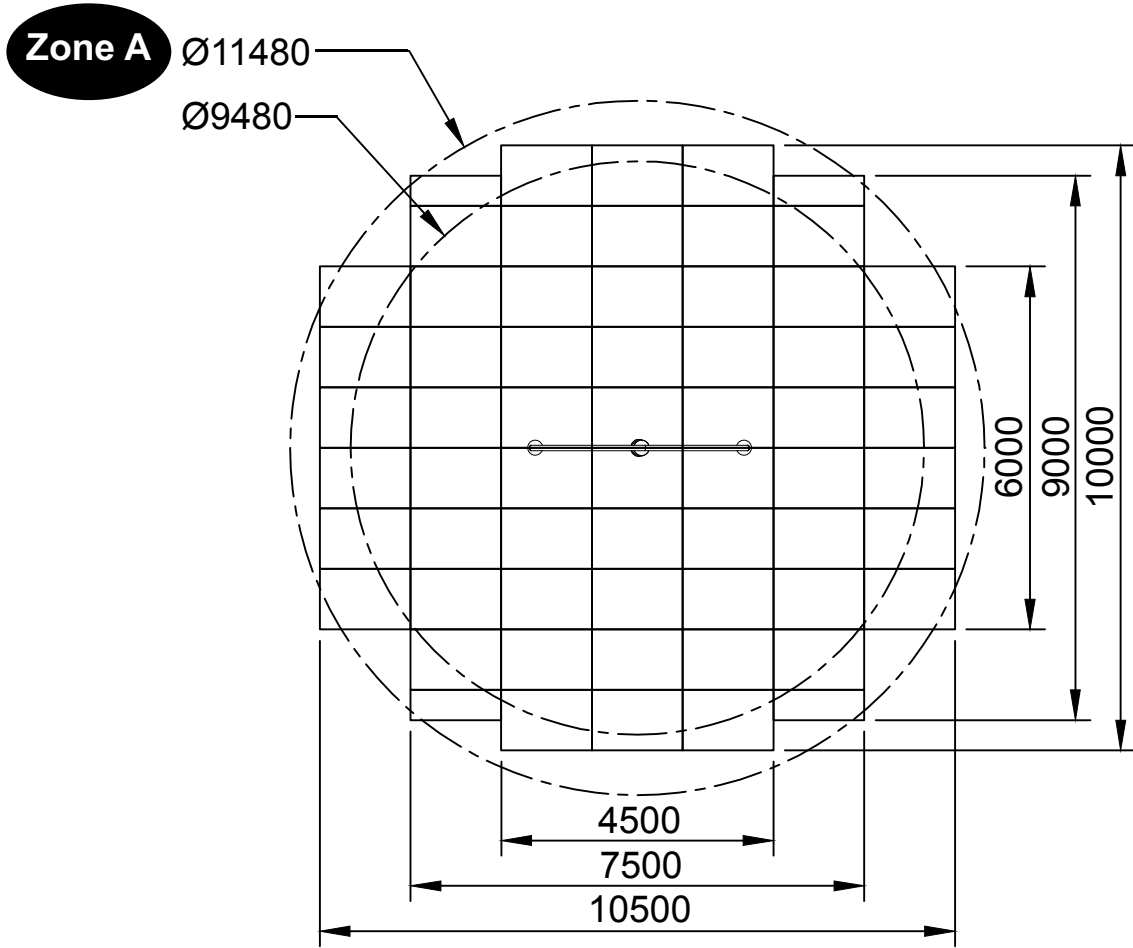


		71240803		kg
E.1	71200330		1x	0.40
E.2	71200520		1x	0.60
E.3	88096003		1x	0.25
E.4	10310325		1x	0.002
E.5	409118		2x	0.004
E.6	15715000		1x	0.100

		71240803		kg
E.7	71200115		1x	0.50
E.8	10310330	 25mm	1x	0.002
E.9	10310331	 20mm	1x	0.002

F:





5 144

